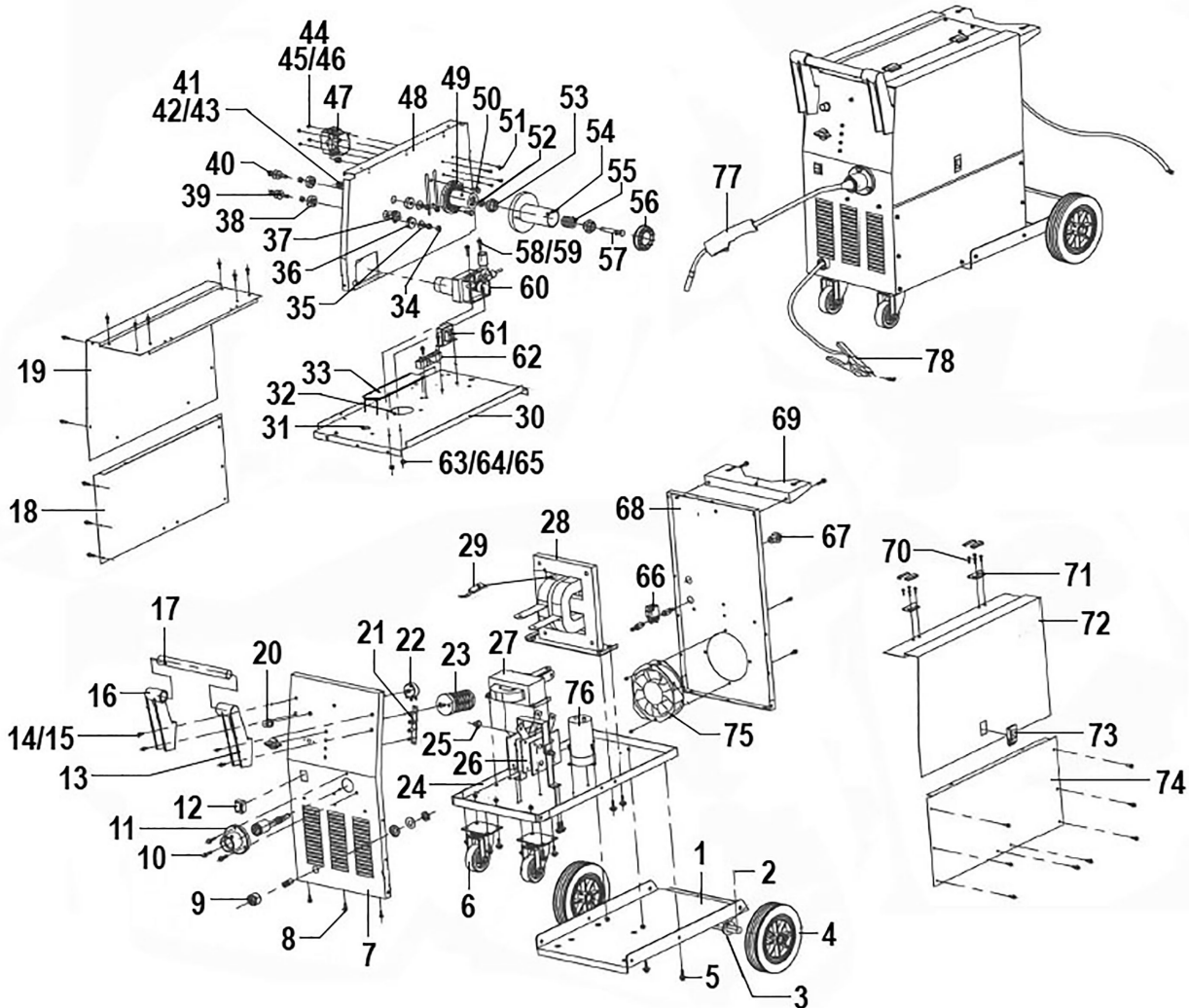


Parts Information:
Professional Gas/No-Gas MIG Welder
250Amp with Euro Torch
Model No: MIGHTYMIG250.V2



Item	Part No.	Description
1	M/MIG250.01	Bottom Panel
2	M/MIG250.02	Cotter Pin 3 x 40
3	FWM20.S	Flat Washer M20
4	M/MIG250.04	Wheel, Fixed (D:200 W:50 B: 19)
5	M/MIG250.05	Bolt (M8x16)
6	M/MIG250.06	Wheel, Swivel Castor, 4 Bolt (D:75 W:30 B:10 H:115)
7	MMIG250.V2-07	Front Panel
8	M/MIG250.08	Bolt (M5x12)
9	M/MIG250.09	Dinse Socket

Item	Part No.	Description
10	M/MIG250.10	Bolt (M6x25)
11	M/MIG250.11	Torch Holder Assembly
12	M/MIG250.12	Switch, On/Off Illuminated Rocker (16a/250V)
13	M/MIG250.13	Handle Support (Right)
14	M/MIG250.14	Screw (M5x25)
15	M/MIG250.15	Washer
16	M/MIG250.16	Handle Support (Left)
17	M/MIG250.17	Handle
18	MMIG250.V2-18	Lower Panel, Left Side
19	MMIG250.V2-19	Upper Panel, Left Side

NOTE: It is our policy to continually improve products and as such we reserve the right to alter data, specifications and component parts without prior notice. There may be alternative versions of this product, please contact us should you require this information.

IMPORTANT: No liability is accepted for incorrect use of product. Spare parts must be fitted by a competent person

WARRANTY: Guarantee is 12 months from purchase date, proof of which will be required for any claim.



Parts Information:
**Professional Gas/No-Gas MIG Welder
 250Amp with Euro Torch
 Model No: MIGHTYMIG250.V2**

Item	Part No.	Description
20	M/MIG250.20	Speed Control Knob
21	M/MIG250.21	Indicator
22	M/MIG250.22	Wire Feed Potentiometer
23	M/MIG250.23	Switch, Rotary Voltage Control. C/w Knob (EN60947-3)
24	M/MIG250.24	Base Frame
25	M/MIG250.25	Thermostat 120°c
26	M/MIG250.26	Rectifier
27	M/MIG250.27	Reactor
28	M/MIG250.28	Main Transformer
29	M/MIG250.29	Thermostat
30	M/MIG250.30	Middle Panel
31	M/MIG250.31	Rubber Ring
32	M/MIG250.32	Rubber Ring
33	M/MIG250.33	Circuit Board
34	FN8.S	Flange Nut Serrated M8 Zinc
35	M/MIG250.35	Washer
36	M/MIG250.36	Insulating Washer
37	M/MIG250.37	Cable Tip
38	M/MIG250.38	Insulating Washer
39	RW825.S	Repair Washer M8 X 25 Zinc
40	M/MIG190.33	Bolt M8x55
41	M/MIG250.41	Spring Washer
42	M/MIG250.42	Washer
43	SN8.S	Steel Nut M8 Zinc
44	M/MIG250.44	Spring Washer
45	M/MIG250.45	Washer
46	SN4.S	Steel Nut M4 Zinc
47	M/MIG250.47	Contactactor
48	M/MIG250.48	Middle Partition Panel
49	M/MIG250.49	Axle
50	M/MIG250.50	Bolt (M8x25)
51	M/MIG250.51	Screw M4x16

Item	Part No.	Description
52	SN10.S	Steel Nut M10 Zinc
53	M/MIG250.53	Plastic Knob
54	M/MIG250.54	Spool Holder
55	M/MIG250.55	Spring Dia 30.1mm
56	M/MIG250.56	Retainer
57	HHB1080.S	Hex Head Bolt M10 x 80mm
58	M/MIG250.58	Bolt M6x25
59	M/MIG250.59	Insulation Washer
60	M/MIG250.60	Wire Feed Motor (Internal 24v)
61	M/MIG250.61	Control Transformer
62	M/MIG250.62	Resistance
63	M/MIG250.63	Spring Washer
64	M/MIG250.64	Washer
65	SN6.S	Steel Nut M6 Zinc
66	M/MIG250.66	Valve Assembly
67	M/MIG250.67	Cable Grip
68	M/MIG250.68	Back Panel
69	M/MIG250.69	Gas Bottle Support
70	M/MIG250.70	Screw M4x8
71	M/MIG250.71	Hinge
72	MMIG250.V2-72	Upper Panel, Right Side
73	M/MIG250.73	Latch
74	MMIG250.V2-74	Lower Panel, Right Side
75	M/MIG250.75	Fan
76	M/MIG250.76	Capacitor
77	MIG/T25	MIG Torch 3m Euro Connector MB25
78	M/MIG250.78	Clamp With Cable
--	M-MIG250.79	Outer Fan Cover (Not Shown)
--	REG/MT	MIG Gas Regulator 2 Gauge Industrial (Not Shown)
--	MIG/GH	Hose, Gas Per Metre (5mm Id Black Nylon Hose) (Not Shown)
--	PMIG3530.29	Torch Holder (Not Shown)

NOTE: It is our policy to continually improve products and as such we reserve the right to alter data, specifications and component parts without prior notice. There may be alternative versions of this product, please contact us should you require this information.

IMPORTANT: No liability is accepted for incorrect use of product. Spare parts must be fitted by a competent person

WARRANTY: Guarantee is 12 months from purchase date, proof of which will be required for any claim.

Sealey Group, Kempson Way, Suffolk Business Park, Bury St Edmunds, Suffolk. IP32 7AR



01284 757500



01284 703534

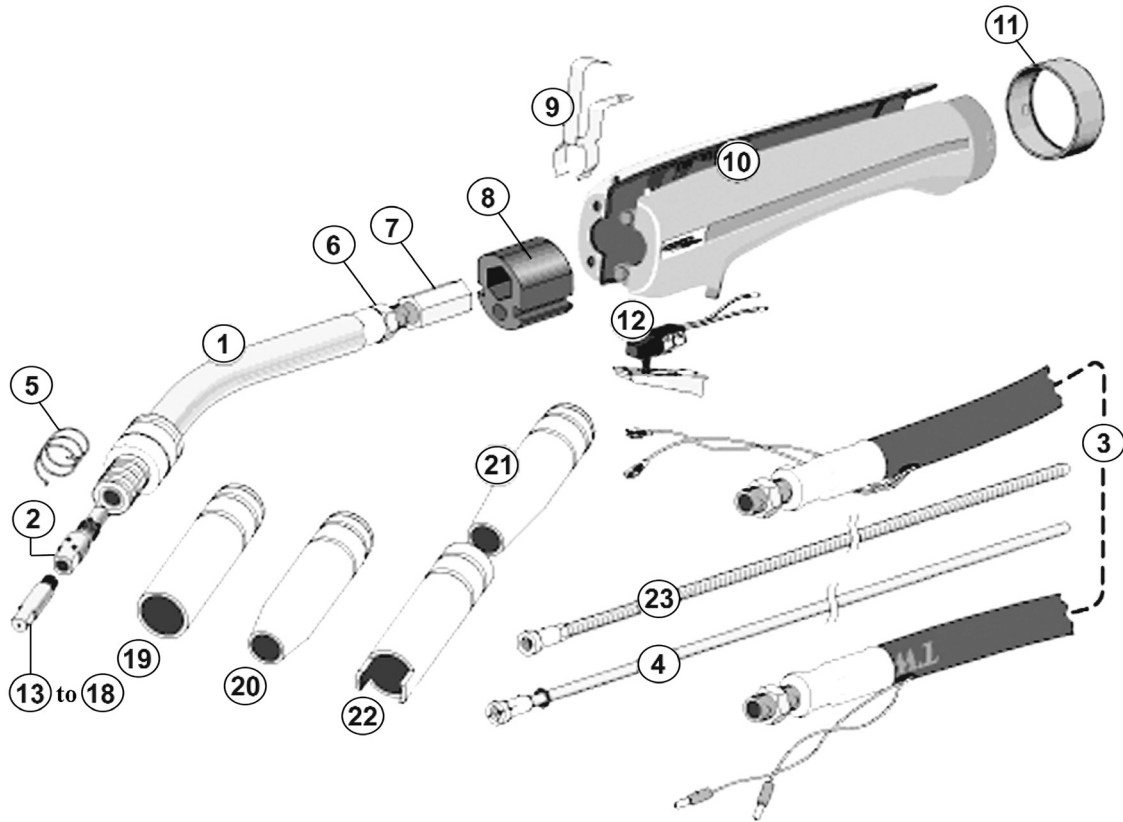


sales@sealey.co.uk



www.sealey.co.uk

Parts Information:
Professional Gas/No-Gas MIG Welder
250Amp with Euro Torch
Model No: MIGHTYMIG250.V2



Item	Part No.	Description
1	120/300060	Swanneck
2	MIG913	Diffuser Adaptor MB25/36 Pack of 2
3	120/258253	Cable Assembly 250amp 3mtr
4	120/302538	Red Teflon Liner 3mtr (2.0/4.0mm)
5	MIG914	Nozzle Spring MB25/36 Pack of 2
6	120/305401	M10 Half Hex Nut (Brass)
7	120/305400	Hexagonal Fitting M10x1x26mm
8	120/305500	Plastic Body
9	120/306270	Suspension Hook
10	120/306000	Handle Without Switch For MIG/T25
11	120/306120	Locking Nut
12	120/306130	Switch, Blade Type For MIG/T25 & MIG/T36

Item	Part No.	Description
13	MIG956	Contact Tip 0.6mm MB15 Pack of 5
14	MIG921	Contact Tip Tr-25 m6-08-1.0a 100221
15	120/722553	Contact Tip Tr-25 M6-08-1.2a 100223
16	MIG917	Contact Tip 0.8mm MB25/36 Pack of 5
17	MIG918	Contact Tip 1mm MB25/36 Pack of 5
18	MIG919	Contact Tip 1.2mm MB25/36 Pack of 5
19	MIG915	Cylindrical Nozzle MB25/36 Pack of 2
20	MIG929	Conical Nozzle MB25/36 Pack of 2
21	120/722686	Thin Headed Nozzle TB25/36 Single
22	120/722687	Spot Welding Nozzle MB25/36 Single
23	120/722689	Liner,T,1.0-1.2mm 3mt Steel

NOTE: It is our policy to continually improve products and as such we reserve the right to alter data, specifications and component parts without prior notice. There may be alternative versions of this product, please contact us should you require this information.

IMPORTANT: No liability is accepted for incorrect use of product. Spare parts must be fitted by a competent person

WARRANTY: Guarantee is 12 months from purchase date, proof of which will be required for any claim.